

Stoddard Silencers, Inc.  
 1017 Progress Drive • Grayslake, Illinois 60030  
 Telephone (847) 223-8636 • FAX (847) 223-8638  
 E-Mail - info @ stoddardsilencersinc.com  
 Web page - www.stoddardsilencersinc.com

## Application

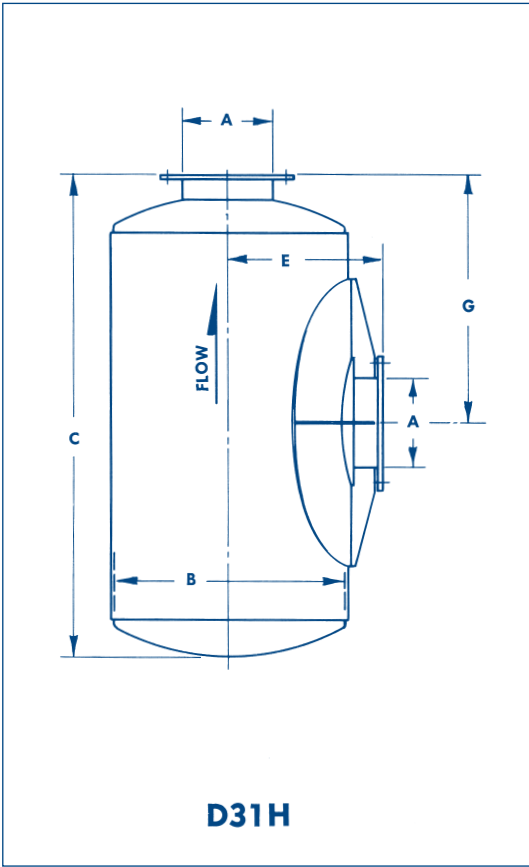
Normally used on large blower discharge installations in conjunction with model D12 Silencer. Model D31H Silencer is bolted to blower discharge while model D12 Silencer may be installed several feet away.

## Design

A single-chamber silencer containing a high frequency absorption device in addition to a special arrangement of volumes and air passageways to effectively reduce both pulsation and excessive high frequencies through the process of converting noise energy into heat. D31H Silencer may be installed horizontally or vertically. Design parameters permit nozzle orientation to suit installation requirements.

## Construction

All welded steel sheet and plate for long service life. Acoustic absorption material temperature limits far exceed application temperatures. Exterior surfaces are prime coated. Flanges are drilled to match 125 lb. American Standard Flanges. Inspection openings, mounting brackets, relief valve nozzles or special paint are available at extra charge.



Model	A	B	C	E	G	Wt.
D31H-10	10	30	55	19	28	696
D31H-12	12	30	61	19	32	873
D31H-14	14	36	75	22	39	1153
D31H-16	16	42	82	25	43	1778
D31H-18	18	48	90	28	46	2091
D31H-20	20	48	96	28	50	2450
D31H-22	22	54	104	31	54	3385
D31H-24	24	60	111	34	61	4100

**D31H**