

Stoddard Silencers, Inc.
 1017 Progress Drive • Grayslake, Illinois 60030
 Telephone (847) 223-8636 • FAX (847) 223-8638
 E-Mail - info @ stoddardsilencersinc.com
 Web page - www.stoddardsilencersinc.com

Application

Silencing the intake of low pressure rotary blowers and centrifugal compressors in areas requiring optimum silencing. Model L81J recommended for 90 dbA requirements.

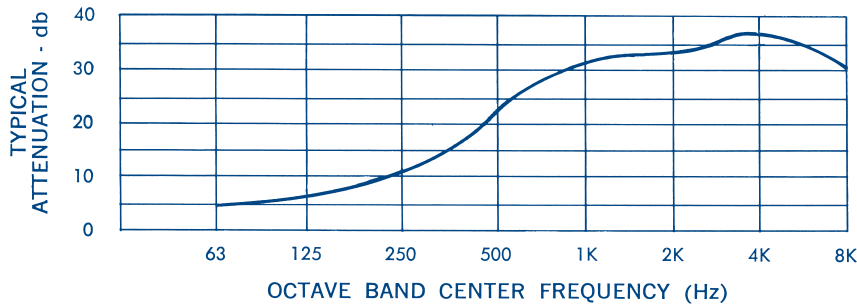
Design

A multi-resonator silencer containing a high-frequency absorption device in addition to a special arrangement of volumes and air passageways to effectively reduce both pulsation and excessive high frequencies through the process of converting noise energy into heat. May be installed horizontally or vertically.

Construction

All-welded construction of sheet and plate steel. Absorption material appropriate for operating conditions. Exterior surfaces are prime coated. Nozzles have either N.P.T. or flanges that are drilled to match 125 lb. American Standard Flanges.

Typical Attenuation Curve



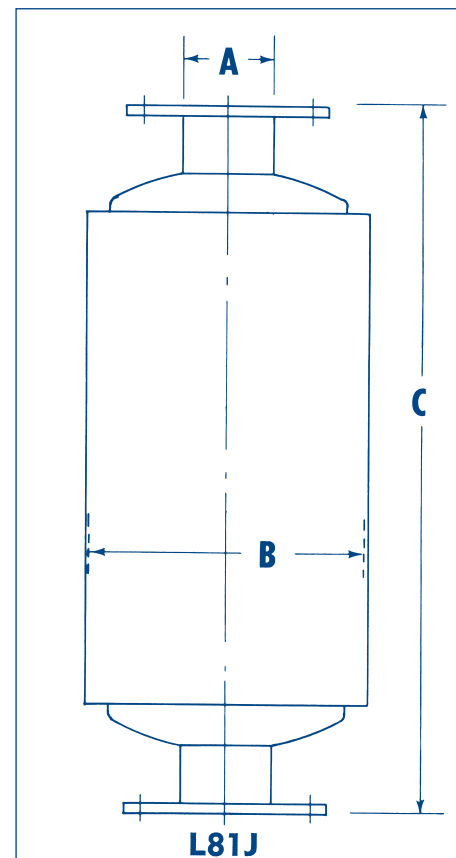
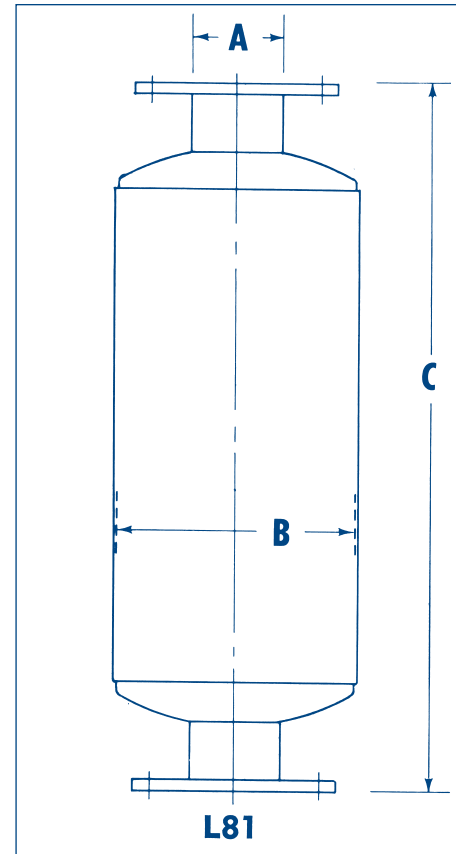
Model	A	B	C	Wt.
L81-3	3*	8¼	20	26
L81-4	4*	10½	32	74
L81-5	5	10½	33	80
L81-6	6	12½	34	105
L81-8	8	12½	34	115

* N.P.T. Nozzles

Model	A	B	C	Wt.
L81J-3	3*	10¼	20	30
L81J-4	4*	12½	32	77
L81J-5	5	12½	33	85
L81J-6	6	14½	34	110
L81J-8	8	14½	34	120

*N.P.T. Nozzles

Licensed Under Brunswick Patent 3,920,095



Stoddard Silencers, Inc.
 1017 Progress Drive • Grayslake, Illinois 60030
 Telephone (847) 223-8636 • FAX (847) 223-8638
 E-Mail - info @ stoddardsilencersinc.com
 Web page - www.stoddardsilencersinc.com

Application

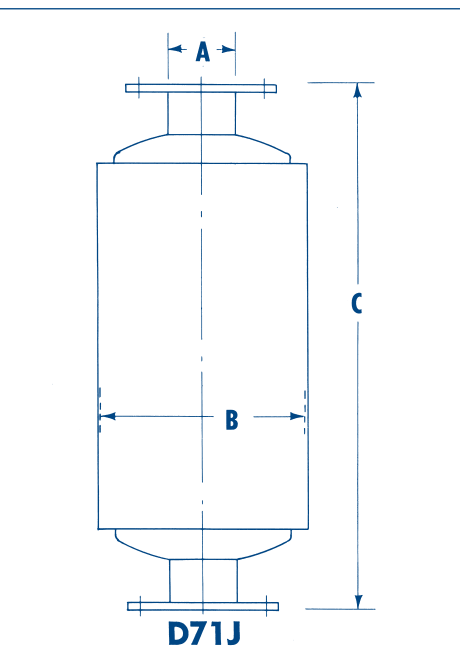
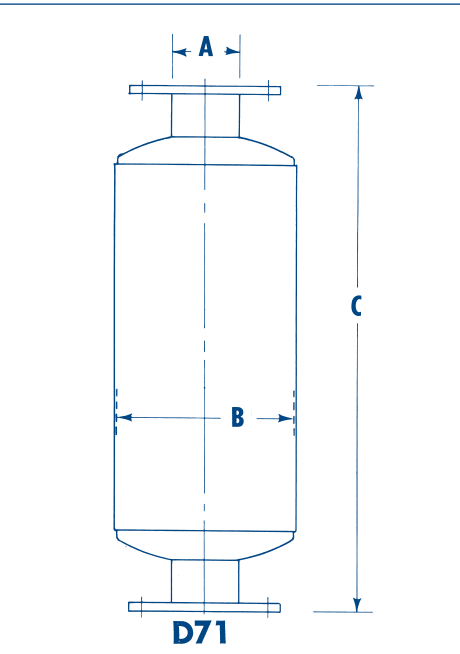
Silencing the discharge of low pressure rotary blowers and centrifugal compressors in areas requiring optimum silencing. Model D71J recommended for 90 dbA requirements.

Design

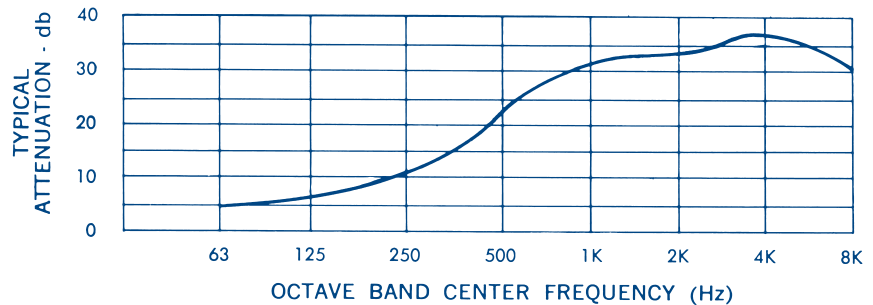
A multi-resonator silencer containing a high-frequency absorption device in addition to a special arrangement of volumes and air passageways to effectively reduce both pulsations and excessive high frequency through the process of converting noise energy into heat. Silencers may be installed horizontally or vertically.

Construction

All-welded steel sheet and plate construction for long service life. Acoustic absorption material is type 316 stainless steel. Exterior surfaces are prime coated. Nozzles have either N.P.T. or flanges that are drilled to match 125 lb. American Standard Flanges.



Typical Attenuation Curve



Model	A	B	C	Wt.
D71-3	3*	8¼	20	28
D71-4	4*	10½	33	82
D71-5	5	10½	34	90
D71-6	6	12½	34	115

* N.P.T. Nozzles

Model	A	B	C	Wt.
D71J-3	3*	10¼	20	35
D71J-4	4*	12½	33	85
D71J-5	5	12½	34	95
D71J-6	6	14½	34	120

* N.P.T. Nozzles

Licensed Under Brunswick Patent 3,920,095